

ADJUSTING STUD ENGINE MOUNTS

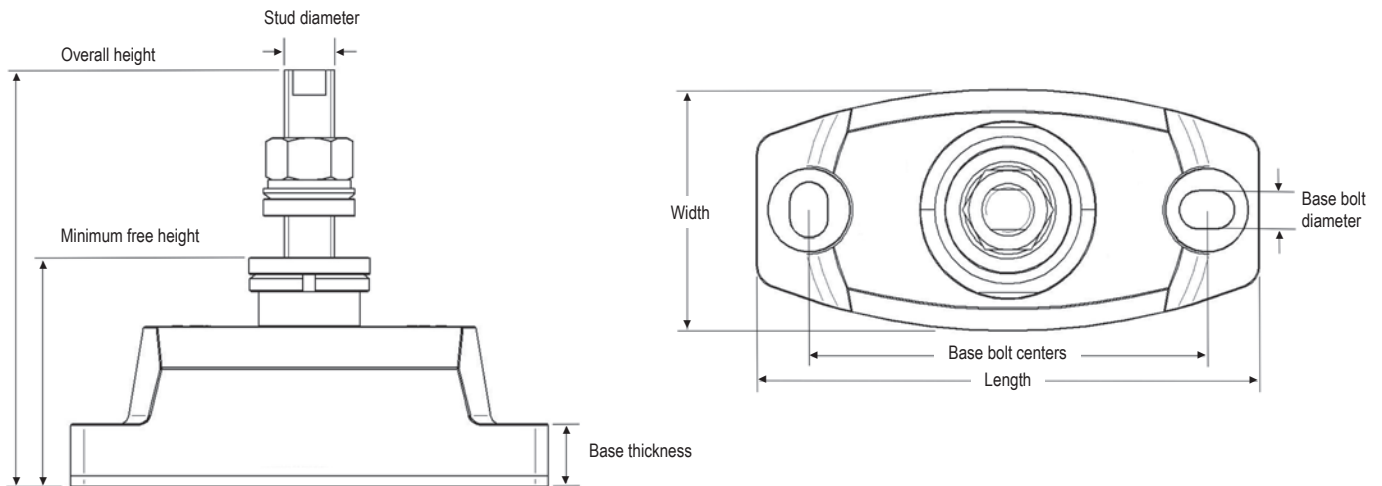
Load per mount: 100-2000 kg / 220-4400 lb

Adjusting stud engine and machinery mounts (S-Type) are designed specifically for marine, high performance and other thrust load installations where height adjustment is required. These mounts are complete with high tensile studs and are fail-safe in their design, which means that even in a knock-down or total inversion, the mounts can hold the weight of the engine.

Isoflex adjusting stud engine mounts are offered in single core (one stud), double core (two studs) and double core bridge style (a bridge with one stud).



DIMENSIONS



ADJUSTING STUD ENGINE MOUNTS (Single Core S-Type)

IFV Mount Series

Single core mounts are used for standard applications where vibration dampening is required: marine engines, diesel engines, generators, machinery, pumps, etc.

- All Isoflex mounts are modular: they can be configured and rebuilt easily.
- Adjustable mounts come standard with ANS or AST swivel adjusters to provide up to 4 degrees of engine bracket to bearer misalignment.
- Swivel adjusters are fitted to 20mm and 24mm studs on most mounts and contain a fine thread for precision adjustment.
- Up to 8 durometer core options available to fine tune the specific application.
- Fail-safe/captured design.

Designed to directly retrofit most OEM mounts.



ADJUSTING STUD ENGINE MOUNTS (Single Core S-Type)

IFV Mount Series

IMPERIAL DIMENSIONS

MOUNT	RECOMMENDED WORKING LOAD PER MOUNT	BASE FOOTPRINT L X W	BASE BOLT CENTERS	BASE BOLT DIAMETER	NO. OF BASE BOLTS	BASE THICKNESS	STUD DIAMETER	MIN. FREE HEIGHT	OVERALL HEIGHT	WEIGHT
	(lb)	(in)	(in)	(in)		(in)		(in)	(in)	(lb)
IFV30-16S	55 - 330	8.66 x 2.95	6.85	3/8	2	0.59	M16 (5/8" approx)	3.74	5.67	2.4
IFV55-12S	55 - 330	5.51 x 2.95	4.00	3/8	2	0.59	M12 (1/2" approx)	2.36	4.09	1.1
IFV55-16S	55 - 330	5.51 x 2.95	4.00	3/8	2	0.59	M16 (5/8" approx)	2.56	4.49	1.5
IFV75-16S	165 - 660	6.97 x 3.94	5.00	1/2	2	0.79	M16 (5/8" approx)	2.91	5.20	2.4
IFV75-20S	165 - 660	6.97 x 3.94	5.00	1/2	2	0.79	M20 (3/4" approx)	3.15	5.59	2.9
IFV85-16S	165 - 660	7.40 x 3.94	5.51	1/2	2	0.79	M16 (5/8" approx)	2.91	5.20	2.4
IFV85-20S	165 - 660	7.40 x 3.94	5.51	1/2	2	0.79	M20 (3/4" approx)	3.15	5.59	2.9
IFV90-20S	110 - 770	6.97 x 3.94	5.00	1/2	2	0.98	M20 (3/4" approx)	3.94	6.69	4.6
IFV90-24S	110 - 770	6.97 x 3.94	5.00	1/2	2	0.98	M24 (1" approx)	3.94	7.87	5.1
IFV100-20S	110 - 770	7.40 x 3.94	5.51	1/2	2	0.98	M20 (3/4" approx)	3.94	6.69	4.8
IFV100-24S	110 - 770	7.40 x 3.94	5.51	1/2	2	0.98	M24 (1" approx)	3.94	7.87	5.3
IFV110-20S	110 - 770	8.66 x 3.94	6.69	5/8	2	1.18	M20 (3/4" approx)	4.72	7.48	6.0
IFV110-24S	110 - 770	8.66 x 3.94	6.69	5/8	2	1.18	M24 (1" approx)	4.72	8.66	6.4
IFV125HD-20S	330 - 1320	9.06 x 4.33	6.69	5/8	2	1.18	M20 (3/4" approx)	5.28	7.68	7.9
IFV125HD-24S	330 - 1320	9.06 x 4.33	6.69	5/8	2	1.18	M24 (1" approx)	5.28	8.86	8.1
IFV125XHD-20S	330 - 1870	9.06 x 4.33	6.69	5/8	2	1.18	M20 (3/4" approx)	5.28	7.68	7.9
IFV125XHD-24S	330 - 1870	9.06 x 4.33	6.69	5/8	2	1.18	M24 (1" approx)	5.28	8.86	8.1
IFV127HD-20S	330 - 1320	9.06 x 4.33	7.17	5/8	2	1.18	M20 (3/4" approx)	5.28	7.68	7.7
IFV127HD-24S	330 - 1320	9.06 x 4.33	7.17	5/8	2	1.18	M24 (1" approx)	5.28	8.86	7.9
IFV127XHD-20S	330 - 1870	9.06 x 4.33	7.17	5/8	2	1.18	M20 (3/4" approx)	5.28	7.68	7.7
IFV127XHD-24S	330 - 1870	9.06 x 4.33	7.17	5/8	2	1.18	M24 (1" approx)	5.28	8.86	7.9
IFV130HD-20S	330 - 1320	9.06 x 4.33	7.17	5/8	2	1.18	M20 (3/4" approx)	4.33	6.69	6.6
IFV130HD-24S	330 - 1320	9.06 x 4.33	7.17	5/8	2	1.18	M24 (1" approx)	4.33	7.87	6.8
IFV130HDLP-20S	330 - 1320	9.06 x 4.33	7.17	5/8	2	1.18	M20 (3/4" approx)	3.74	6.69	6.0
IFV130HDLP-24S	330 - 1320	9.06 x 4.33	7.17	5/8	2	1.18	M24 (1" approx)	3.74	7.87	6.2
IFV130XHD-20S	330 - 1870	9.06 x 4.33	7.17	5/8	2	1.18	M20 (3/4" approx)	4.33	6.69	6.6
IFV130XHD-24S	330 - 1870	9.06 x 4.33	7.17	5/8	2	1.18	M24 (1" approx)	4.33	7.87	6.8
IFV130XHDL-20S	330 - 1870	9.06 x 4.33	7.17	5/8	2	1.18	M20 (3/4" approx)	3.74	6.69	5.9
IFV130XHDL-24S	330 - 1870	9.06 x 4.33	7.17	5/8	2	1.18	M24 (1" approx)	3.74	7.87	6.2
IFV136XHD-24S	1320 - 3080	9.06 x 5.00	7.17	5/8	2	1.18	M24 (1" approx)	5.28	8.46	9.5
IFV139XHD-24S	1320 - 3080	9.45 x 5.00	7.28 x 2.56	5/8	4	1.18	M24 (1" approx)	5.28	8.46	9.5
IFV140XHD-24S	1320 - 3080	10.83 x 5.00	9.00	5/8	2	1.18	M24 (1" approx)	5.28	8.46	10.8

ADJUSTING STUD ENGINE MOUNTS (Single Core S-Type)

IFV Mount Series

METRIC DIMENSIONS

MOUNT	RECOMMENDED WORKING LOAD PER MOUNT	BASE FOOTPRINT L X W	BASE BOLT CENTERS	BASE BOLT DIAMETER	NO. OF BASE BOLTS	BASE THICKNESS	STUD DIAMETER	MIN. FREE HEIGHT	OVERALL HEIGHT	WEIGHT
	(kg)	(mm)	(mm)	(mm)		(mm)		(mm)	(mm)	(kg)
IFV30-16S	25 - 150	220 x 75	174	10	2	15	M16	95	144	1.1
IFV55-12S	25 - 150	140 x 75	102	10	2	15	M12	60	104	0.5
IFV55-16S	25 - 150	140 x 75	102	10	2	15	M16	65	114	0.7
IFV75-16S	75 - 300	177 x 100	127	12	2	20	M16	74	132	1.1
IFV75-20S	75 - 300	177 x 100	127	12	2	20	M20	80	142	1.3
IFV85-16S	75 - 300	188 x 100	140	12	2	20	M16	74	132	1.1
IFV85-20S	75 - 300	188 x 100	140	12	2	20	M20	80	142	1.3
IFV90-20S	50 - 350	177 x 100	127	12	2	25	M20	100	170	2.1
IFV90-24S	50 - 350	177 x 100	127	12	2	25	M24	100	200	2.3
IFV100-20S	50 - 350	188 x 100	140	12	2	25	M20	100	170	2.2
IFV100-24S	50 - 350	188 x 100	140	12	2	25	M24	100	200	2.4
IFV110-20S	50 - 350	220 x 100	170	16	2	30	M20	120	190	2.7
IFV110-24S	50 - 350	220 x 100	170	16	2	30	M24	120	220	2.9
IFV125HD-20S	150 - 600	230 x 110	170	16	2	30	M20	134	195	3.6
IFV125HD-24S	150 - 600	230 x 110	170	16	2	30	M24	134	225	3.7
IFV125XHD-20S	150 - 850	230 x 110	170	16	2	30	M20	134	195	3.6
IFV125XHD-24S	150 - 850	230 x 110	170	16	2	30	M24	134	225	3.7
IFV127HD-20S	150 - 600	230 x 110	182	16	2	30	M20	134	195	3.5
IFV127HD-24S	150 - 600	230 x 110	182	16	2	30	M24	134	225	3.6
IFV127XHD-20S	150 - 850	230 x 110	182	16	2	30	M20	134	195	3.5
IFV127XHD-24S	150 - 850	230 x 110	182	16	2	30	M24	134	225	3.6
IFV130HD-20S	150 - 600	230 x 110	182	16	2	30	M20	110	170	3.0
IFV130HD-24S	150 - 600	230 x 110	182	16	2	30	M24	110	200	3.1
IFV130HDL-20S	150 - 600	230 x 110	182	16	2	30	M20	95	170	2.7
IFV130HDL-24S	150 - 600	230 x 110	182	16	2	30	M24	95	200	2.8
IFV130XHD-20S	150 - 850	230 x 110	182	16	2	30	M20	110	170	3.0
IFV130XHD-24S	150 - 850	230 x 110	182	16	2	30	M24	110	200	3.1
IFV130XHDL-20S	150 - 850	230 x 110	182	16	2	30	M20	95	170	2.7
IFV130XHDL-24S	150 - 850	230 x 110	182	16	2	30	M24	95	200	2.8
IFV136XHD-24S	600 - 1400	230 x 127	182	16	2	30	M24	134	215	4.3
IFV139XHD-24S	600 - 1400	240 x 127	185 x 65	16	4	30	M24	134	215	4.3
IFV140XHD-24S	600 - 1400	275 x 127	230	16	2	30	M24	134	215	4.9

ADJUSTING STUD ENGINE MOUNTS (Double and Bridge Style)

MDV Mount Series

Double and/or bridge mounts are generally used for applications with high weight demands and/or higher thrust loads. They can be used in situations where six-mount systems have been used previously. These mounts make adjustment easier and more accurate, and work very well for V drives for added stability.

- All Isoflex mounts are modular: they can be configured and rebuilt easily.
- Adjustable mounts come standard with ANS or AST swivel adjusters to provide up to 4 degrees of engine bracket to bearer misalignment.
- Up to 8 durometer core options available to fine tune the specific application.
- Primarily used in marine and high performance applications including pilot boats, crew patrol boats, high speed RHIBS, fishing and dive vessels, pleasure craft and military spec.
- Fail-safe/captured design.



IMPERIAL DIMENSIONS - DOUBLE STUD

MOUNT	RECOMMENDED WORKING LOAD PER MOUNT	BASE FOOTPRINT L X W	BASE BOLT CENTERS	BASE BOLT DIAMETER	NO. OF BASE BOLTS	BASE THICKNESS	STUD DIAMETER	MIN. FREE HEIGHT	OVERALL HEIGHT	WEIGHT
	(lb)	(in)	(in)	(in)		(in)		(in)	(in)	(lb)
MDV90-20DS	220 - 1540	11.02 x 3.94	9.06	1/2	2	0.98	2 x M20 (3/4" approx)	3.94	6.69	9.2
MDV100-24DS	220 - 1540	11.81 x 3.94	9.84	1/2	2	0.98	2 x M24 (1" approx)	3.94	7.87	10.6
MDV125HD-24DS	660 - 2640	14.57 x 4.33	12.13	5/8	2	1.18	2 x M24 (1" approx)	5.28	8.82	15.8
MDV125XHD-24DS	660 - 3970	14.57 x 4.33	12.13	5/8	2	1.18	2 x M24 (1" approx)	5.28	8.82	15.8
MDV128HD-24DS	660 - 2640	14.57 x 4.33	12.13 x 2.36	5/8	4	1.18	2 x M24 (1" approx)	4.33	7.87	13.9
MDV128XHD-24DS	660 - 3970	14.57 x 4.33	12.13 x 2.36	5/8	4	1.18	2 x M24 (1" approx)	4.33	7.87	13.9
MDV130HD-24DS	660 - 2640	14.57 x 4.33	12.13	5/8	2	1.18	2 x M24 (1" approx)	4.33	7.87	13.6
MDV130XHD-24DS	660 - 3970	14.57 x 4.33	12.13	5/8	2	1.18	2 x M24 (1" approx)	4.33	7.87	13.6
MDV131HD-24DS	660 - 2640	15.94 x 4.33	14.02	5/8	2	1.18	2 x M24 (1" approx)	4.33	7.87	13.9
MDV131XHD-24DS	660 - 3970	15.94 x 4.33	14.02	5/8	2	1.18	2 x M24 (1" approx)	4.33	7.87	13.9

IMPERIAL DIMENSIONS - BRIDGE STYLE

MOUNT	RECOMMENDED WORKING LOAD PER MOUNT	BASE FOOTPRINT L X W	BASE BOLT CENTERS	BASE BOLT DIAMETER	NO. OF BASE BOLTS	BASE THICKNESS	STUD DIAMETER	MIN. FREE HEIGHT	OVERALL HEIGHT	WEIGHT
	(lb)	(in)	(in)	(in)		(in)		(in)	(in)	(lb)
MDV100-24SB	220 - 1540	11.81 x 3.94	9.84	1/2	2	0.98	M24 (1" approx)	5.51	9.65	13.9
MDV128HD-24SB	660 - 2640	14.57 x 4.33	12.13 x 2.36	5/8	4	1.18	M24 (1" approx)	6.06	9.69	17.6
MDV128XHD-24SB	660 - 3970	14.57 x 4.33	12.13 x 2.36	5/8	4	1.18	M24 (1" approx)	6.06	9.69	17.6
MDV130HD-24SB	660 - 2640	14.57 x 4.33	12.13	5/8	2	1.18	M24 (1" approx)	6.06	9.69	17.4
MDV130XHD-24SB	660 - 3970	14.57 x 4.33	12.13	5/8	2	1.18	M24 (1" approx)	6.06	9.69	17.4

ADJUSTING STUD ENGINE MOUNTS (Double and Bridge Style)

MDV Mount Series

METRIC DIMENSIONS - DOUBLE STUD

MOUNT	RECOMMENDED WORKING LOAD PER MOUNT	BASE FOOTPRINT L X W	BASE BOLT CENTERS	BASE BOLT DIAMETER	NO. OF BASE BOLTS	BASE THICKNESS	STUD DIAMETER	MIN. FREE HEIGHT	OVERALL HEIGHT	WEIGHT
	(kg)	(mm)	(mm)	(mm)		(mm)		(mm)	(mm)	(kg)
MDV90-20DS	100 - 700	280 x 100	230	12	2	25	2 x M20	100	170	4.2
MDV100-24DS	100 - 700	300 x 100	250	12	2	25	2 x M24	100	200	4.8
MDV125HD-24DS	300 - 1200	370 x 110	308	16	2	30	2 x M24	134	224	7.2
MDV125XHD-24DS	300 - 1800	370 x 110	308	16	2	30	2 x M24	134	224	7.2
MDV128HD-24DS	300 - 1200	370 x 110	308 x 60	16	4	30	2 x M24	110	200	6.3
MDV128XHD-24DS	300 - 1800	370 x 110	308 x 60	16	4	30	2 x M24	110	200	6.3
MDV130HD-24DS	300 - 1200	370 x 110	308	16	2	30	2 x M24	110	200	6.2
MDV130XHD-24DS	300 - 1800	370 x 110	308	16	2	30	2 x M24	110	200	6.2
MDV131HD-24DS	300 - 1200	405 x 110	356	16	2	30	2 x M24	110	200	6.3
MDV131XHD-24DS	300 - 1800	405 x 110	356	16	2	30	2 x M24	110	200	6.3

METRIC DIMENSIONS - BRIDGE STYLE

MOUNT	RECOMMENDED WORKING LOAD PER MOUNT	BASE FOOTPRINT L X W	BASE BOLT CENTERS	BASE BOLT DIAMETER	NO. OF BASE BOLTS	BASE THICKNESS	STUD DIAMETER	MIN. FREE HEIGHT	OVERALL HEIGHT	WEIGHT
	(kg)	(mm)	(mm)	(mm)		(mm)		(mm)	(mm)	(kg)
MDV100-24SB	100 - 700	300 x 100	250	12	2	25	M24	140	245	6.3
MDV128HD-24SB	300 - 1200	370 x 110	308 x 60	16	4	30	M24	154	246	8.0
MDV128XHD-24SB	300 - 1800	370 x 110	308 x 60	16	4	30	M24	154	246	8.0
MDV130HD-24SB	300 - 1200	370 x 110	308	16	2	30	M24	154	246	7.9
MDV130XHD-24SB	300 - 1800	370 x 110	308	16	2	30	M24	154	246	7.9

BOLT-DOWN ENGINE MOUNTS

IFV Mount Series

Bolt-down style mounts have the same structure and fabrication as the adjustable mounts, but do not include the adjusting stud component. Shims may be required to fine-tune the adjustment.

Bolt-down engine and machinery mounts are designed for marine, generators, water makers and industrial machinery.

- All Isoflex mounts are modular: they can be configured and rebuilt easily.
- Up to 8 durometer core options available to fine tune the specific application.
- Engineered polymer base and cores provide exceptional resistance to fuels, oils and water.
- Fail-safe/captured design.



IMPERIAL DIMENSIONS

MOUNT	RECOMMENDED WORKING LOAD PER MOUNT	BASE FOOTPRINT L X W	BASE BOLT CENTERS	BASE BOLT DIAMETER	BASE THICKNESS	BOLT DIAMETER	MIN. FREE HEIGHT	WEIGHT
	(lb)	(in)	(in)	(in)	(in)		(in)	(lb)
IFV90-20B	110 - 770	6.97 x 3.94	5.00	1/2	0.98	M20 (3/4" approx)	3.54	4.0
IFV90-24B	110 - 770	6.97 x 3.94	5.00	1/2	0.98	M24 (1" approx)	3.54	4.0
IFV100-20B	110 - 770	7.40 x 3.94	5.51	1/2	0.98	M20 (3/4" approx)	3.54	4.2
IFV100-24B	110 - 770	7.40 x 3.94	5.51	1/2	0.98	M24 (1" approx)	3.54	4.2
IFV110-20B	110 - 770	8.66 x 3.94	6.69	5/8	1.18	M20 (3/4" approx)	4.33	5.3
IFV110-24B	110 - 770	8.66 x 3.94	6.69	5/8	1.18	M24 (1" approx)	4.33	5.3
IFV125HD-20B	330 - 1320	9.06 x 4.33	6.69	5/8	1.18	M20 (3/4" approx)	4.48	6.4
IFV125HD-24B	330 - 1320	9.06 x 4.33	6.69	5/8	1.18	M24 (1" approx)	4.48	6.4
IFV125XHD-20B	330 - 1870	9.06 x 4.33	6.69	5/8	1.18	M20 (3/4" approx)	4.48	6.4
IFV125XHD-24B	330 - 1870	9.06 x 4.33	6.69	5/8	1.18	M24 (1" approx)	4.48	6.4
IFV127HD-20B	330 - 1320	9.06 x 4.33	7.17	5/8	1.18	M20 (3/4" approx)	4.48	6.2
IFV127HD-24B	330 - 1320	9.06 x 4.33	7.17	5/8	1.18	M24 (1" approx)	4.48	6.2
IFV127XHD-20B	330 - 1870	9.06 x 4.33	7.17	5/8	1.18	M20 (3/4" approx)	4.48	6.2
IFV127XHD-24B	330 - 1870	9.06 x 4.33	7.17	5/8	1.18	M24 (1" approx)	4.48	6.2
IFV130HD-20B	330 - 1320	9.06 x 4.33	7.17	5/8	1.18	M20 (3/4" approx)	3.54	5.1
IFV130HD-24B	330 - 1320	9.06 x 4.33	7.17	5/8	1.18	M24 (1" approx)	3.54	5.1
IFV130XHD-20B	330 - 1870	9.06 x 4.33	7.17	5/8	1.18	M20 (3/4" approx)	3.54	5.1
IFV130XHD-24B	330 - 1870	9.06 x 4.33	7.17	5/8	1.18	M24 (1" approx)	3.54	5.1
IFV136XHD-24B	1320 - 3080	9.06 x 5.00	7.17	5/8	1.18	M24 (1" approx)	4.48	7.9
IFV139XHD-24B	1320 - 3080	9.45 x 5.00	7.28 x 2.56	5/8	1.18	M24 (1" approx)	4.48	7.9
IFV140XHD-24B	1320 - 3080	10.83 x 5.00	9.00	5/8	1.18	M24 (1" approx)	4.48	9.3

BOLT-DOWN ENGINE MOUNTS

IFV Mount Series

METRIC DIMENSIONS

MOUNT	RECOMMENDED WORKING LOAD PER MOUNT	BASE FOOTPRINT L X W	BASE BOLT CENTERS	BASE BOLT DIAMETER	BASE THICKNESS	BOLT DIAMETER	MIN. FREE HEIGHT	WEIGHT
	(kg)	(mm)	(mm)	(mm)	(mm)		(mm)	(kg)
IFV90-20B	50 - 350	177 x 100	127	12	25	M20	90	1.8
IFV90-24B	50 - 350	177 x 100	127	12	25	M24	90	1.8
IFV100-20B	50 - 350	188 x 100	140	12	25	M20	90	1.9
IFV100-24B	50 - 350	188 x 100	140	12	25	M24	90	1.9
IFV110-20B	50 - 350	220 x 100	170	16	30	M20	110	2.4
IFV110-24B	50 - 350	220 x 100	170	16	30	M24	110	2.4
IFV125HD-20B	150 - 600	230 x 110	170	16	30	M20	114	2.9
IFV125HD-24B	150 - 600	230 x 110	170	16	30	M24	114	2.9
IFV125XHD-20B	150 - 850	230 x 110	170	16	30	M20	114	2.9
IFV125XHD-24B	150 - 850	230 x 110	170	16	30	M24	114	2.9
IFV127HD-20B	150 - 600	230 x 110	182	16	30	M20	114	2.8
IFV127HD-24B	150 - 600	230 x 110	182	16	30	M24	114	2.8
IFV127XHD-20B	150 - 850	230 x 110	182	16	30	M20	114	2.8
IFV127XHD-24B	150 - 850	230 x 110	182	16	30	M24	114	2.8
IFV130HD-20B	150 - 600	230 x 110	182	16	30	M20	90	2.3
IFV130HD-24B	150 - 600	230 x 110	182	16	30	M24	90	2.3
IFV130XHD-20B	150 - 850	230 x 110	182	16	30	M20	90	2.3
IFV130XHD-24B	150 - 850	230 x 110	182	16	30	M24	90	2.3
IFV136XHD-24B	600 - 1400	230 x 127	182	16	30	M24	114	3.6
IFV139XHD-24B	600 - 1400	240 x 127	185 x 65	16	30	M24	114	3.6
IFV140XHD-24B	600 - 1400	275 x 127	230	16	30	M24	114	4.2

Copyright © 2021 Isoflex Technologies Pty Ltd. Specifications are subject to change without notice.



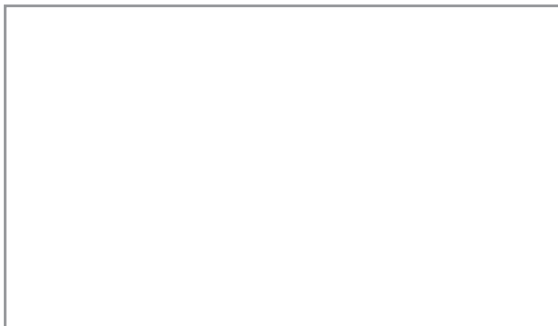
Isoflex Technologies International, LLC

3434 SW 15th Street, Suite B
Deerfield Beach, FL 33442
Tel: (561) 210-5170
Toll Free 888-327-9260
E: info@isoflextech.com
isoflextech.com

Isoflex Technologies Pty Ltd

11/75 Waterway Drive
Coomera, QLD 4209 Australia
Tel: 1300 366 393
International: +61 7 5556 0924
E: info@isoflex.com.au
isoflex.com.au

Authorized Distributor:



Exceptional results in engine vibration solutions.