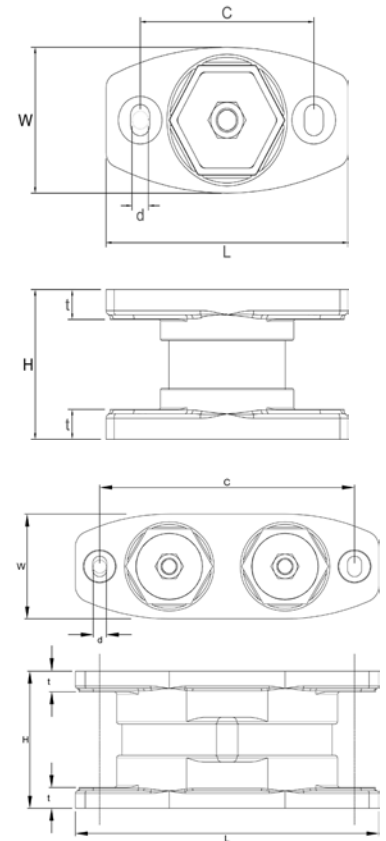


# IsoFlex Superstructure & Wheelhouse Isolation Mounts for Heavy Duty Commercial Vessels



**Isolate vibration and produce maximum load-carrying stability in 360 degrees.**

[isoflex.com.au](http://isoflex.com.au)  
[isoflextech.com](http://isoflextech.com)

**IsoFlex**  
TM  
MINIMIZING VIBRATION

# IsoFlex Superstructure & Wheelhouse Isolation Mounts



## FEATURES

- Provide vibration and electrical isolation of superstructure and wheelhouses from vessel hulls.
- Failsafe construction.
- Engineering polymer and 316 stainless steel components = no rot, no rust.
- Used by extreme duty pilot boats and passenger ferries alike.
- Can be tuned by changing working core to suit applications.
- Dimensions including height can be varied in some cases to suit.
- Minimum of 6 G force tested in all axes including inversion applications.

## SUPPORT DIMENSIONS

Superstructure Support (Metric)	L (mm)	W (mm)	H (mm)	C (mm)	d (mm)	t (mm)	Static Working Load
MSS10 (4 hold down bolts)	200	100	110	170 x 60	4 x 13.2	20	100-700 kg
MSS12 (4 hold down bolts)	190	125	110	160 x 80	4 x 13.2	20	100-700 kg
M75-16SS	177	96	100	127	2 x 14	20	100-300 kg
M130-20SS	240	127	125	182	2 x 16	25	300-1000 kg
M125-20SS	240	127	166	170	2 x 16	25	300-1000 kg
MD125-20SS	367	127	166	308	2 x 16	25	600-2000 kg
MD128-20SS (4 hold down bolts)	367	127	166	308 x 60	4 x 16	25	600-2000 kg

Superstructure Support (Imperial)	L (in)	W (in)	H (in)	C (in)	d (in)	t (in)	Static Working Load
MSS10 (4 hold down bolts)	7.9	3.9	4.3	6.7 x 2.4	4 x 0.5	0.8	220-1540 lb
MSS12 (4 hold down bolts)	7.5	4.9	4.3	6.3 x 3.1	4 x 0.5	0.8	220-1540 lb
M75-16SS	7.0	3.8	3.9	5.0	2 x 0.6	0.8	220-660 lb
M130-20SS	9.4	5.0	4.9	7.2	2 x 0.6	1.0	660-2200 lb
M125-20SS	9.4	5.0	6.5	6.7	2 x 0.6	1.0	660-2200 lb
MD125-20SS	14.4	5.0	6.5	12.1	2 x 0.6	1.0	1300-4400 lb
MD128-20SS (4 hold down bolts)	14.4	5.0	6.5	12.1	4 x 0.6	1.0	1300-4400 lb

### IsoFlex Technologies Pty Ltd

11/75 Waterway Drive (Gold Coast Marine Precinct)  
 Coomera, Queensland 4209  
 Australia  
 Phone: 011 61 7 5556 0924  
 Fax: 011 61 7 5556 0984  
 E-mail: info@isoflex.com.au

### Isoflex Technologies International, LLC

3434 SW 15 Street, Suite B  
 Deerfield Beach, FL 33442  
 Phone: (561) 210-5170  
 Toll free: 888-327-9260  
 E-mail: info@isoflextech.com  
 isoflextech.com