

IsoFlex™ Mount Packing Plate

NEW! Easy to install spacing plate for marine engine mounts

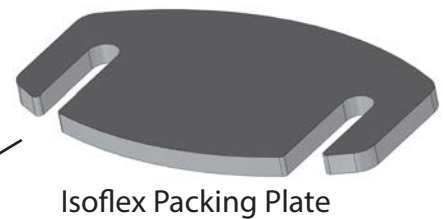
Designed to lift the mount to the correct height for the engine bracket

Ensures the engine bracket sits as low as possible on the mount's adjuster stud

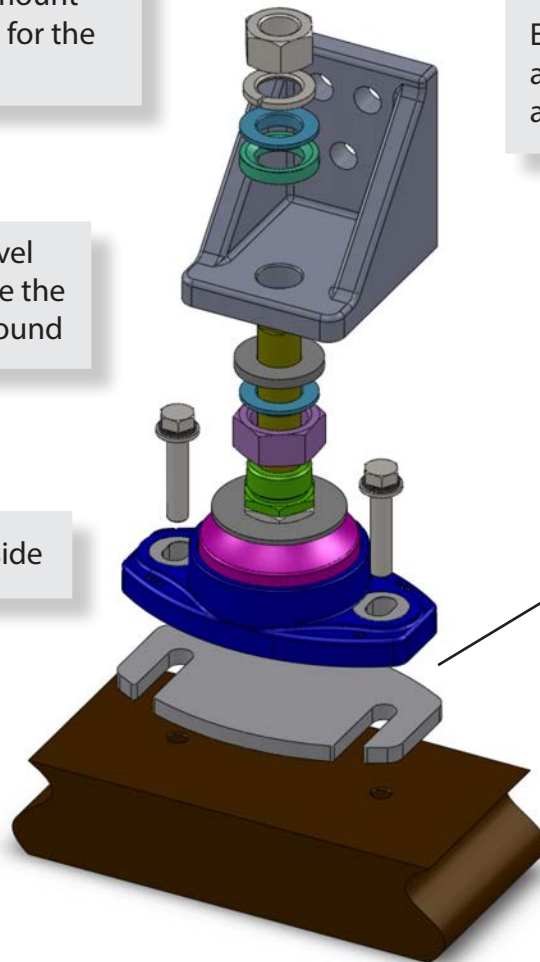
Used with the Isoflex swivel adjuster system, eliminate the need for chocking compound

Cut from marine grade alloy

Easy to install from the side



Available in two thicknesses:
6mm (approx. 1/4")
10mm (approx. 3/8")



Packing Plate to fit Isoflex Mounts	Bolt Centre Measurements	Part Number	
		6mm	10mm
M75, M90, IFX-95	5" / 125mm centre	PP95-6	PP95-10
M85, M100	5 1/2" / 140mm centre	PP100-6	PP100-10
M130, M110, M125, M127	6.7" / 170mm centre & 7 1/4" / 180mm centre	PP130-6	PP130-10



Isoflex Technologies Pty Ltd
11/75 Waterway Drive Coomera, QLD 4209 Australia
Tel: +61 7 5556 0924 Fax: +61 7 5556 0984
E-mail: info@isoflex.com.au

isoflex.com.au