



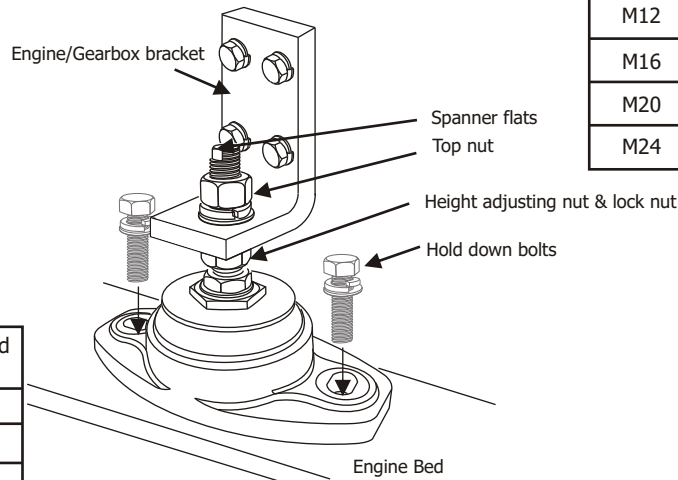
IsoFlex Technologies Pty Ltd.

Unit 33, 75 Waterway Drive, Gold Coast Marine Precinct, Coomera, Queensland, Australia. 4209
 Ph: 1300 366 393 Ph: 07 555 60 924 F: 07 555 60 984 Int prefix: 617
 Email: info@isoflex.com.au
 Home Page: www.isoflex.com.au

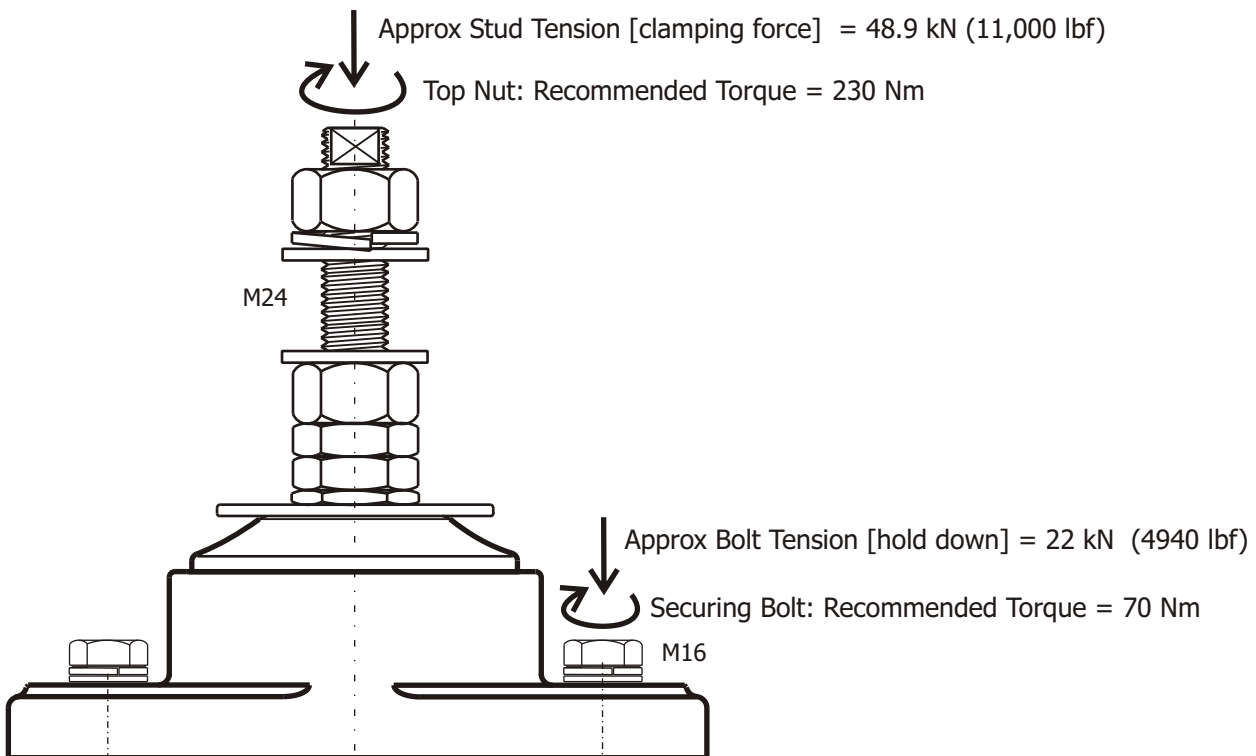
IsoFlex Engine Mount installation - 'S type' (adjusting stud)

Stud & Securing Bolts: Recommended torques/approx clamping forces

Top Nut size	Recommended torque	
	N-m	ft-lbs
M12	30	22
M16	70	52
M20	135	100
M24	230	170



Hold down bolt size	Recommended torque	
	N-m	ft-lbs
M8 (5/16")	8	6
M10 (3/8")	15	11
M12 (1/2")	30	22
M16 (5/8")	70	52



Mount Model: M125-24S

